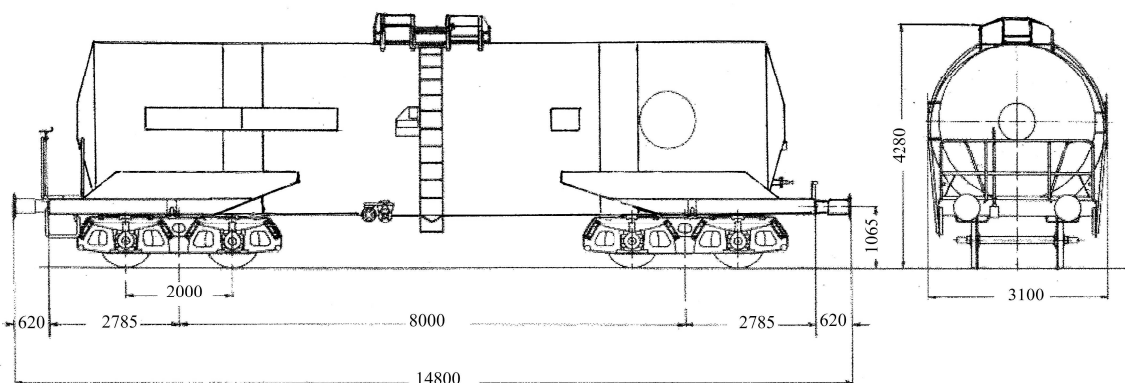


4-axle rail tank car 63m³, heated, insulated, for the transport of heavy petroleum products



Wagon type MB540-630

Page 1/2



TECHNICAL DATA

1. General

Serie: Zaes
 Own weight: ca. 24,5 t,
 Axle load: 20,0 t

Limits load
 (with an own weight 24,5 t):

	A	B	C
S	39,5 t	47,5 t	55,5 t

Type of brake: KE-GP 14"
 Minimal curven radius: 60 m

2. Running gear

Boggies: G56
 Wheelsets: monoblock, 985 mm

3. Tank

Capacity: 63-65 m³
 Material: Steel 1312 (SIS)
 Design pressure: 1,35 / 1,5 bar
 The tank RID-code: LGBF / L1,5BN
 Heating: heating steam inside the tank, 8 pieces of heatings pipes, heating surfance ca. 25 m²
 Insulation: 80 mm mineral wool

4-axle rail tank car 63m³, heated, insulated, for the transport of heavy petroleum products



Page 2/2

Wagon type MB540-630

Residue emptying: no

Forced ventilation: no

Gas pendoleum: no

4. Loading and unloading devices

Filling manhole: 1-screw DN500, in top of tank

Bottom valve: DN100 „Gestra“ operated from the upper platform

T-pipe: DN100, heated

Discharging valves: 2 pcs. of the ball valves / angle-seat valves DN100 with connection M130x6