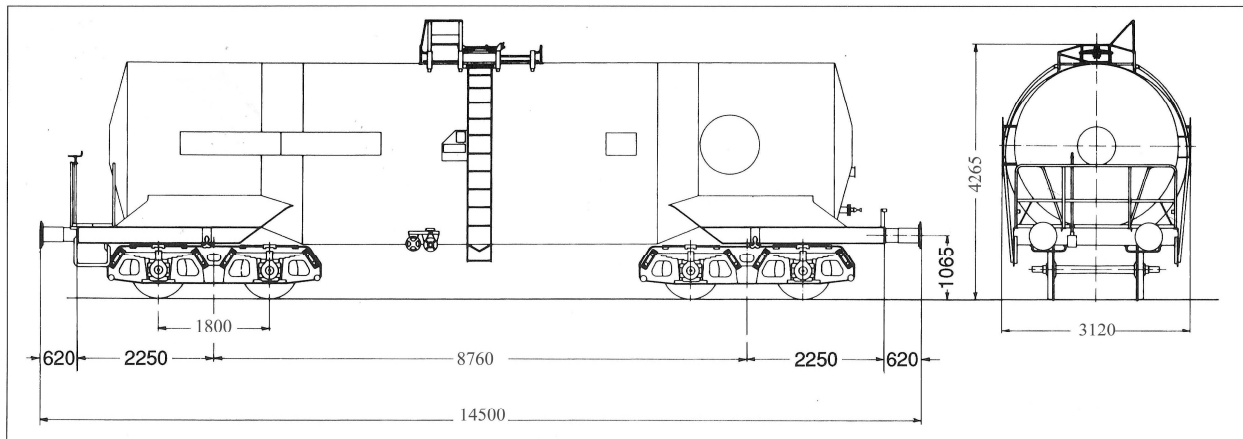


4-axle rail tank car 63 m³, heated, insulated, for the transport of heavy petroleum products



Wagon type MB540-631

Page 1/2



TECHNICAL DATA

1. General

Serie: Zaes
 Own weight: ca. 23,5 t,
 Axle load: 20,0 t

Limits load
 (with an own weight 23,5 t):

	A	B	C
S	40,5 t	48,5 t	56,5 t

Type of brake: KE-GP 14"
 Minimal curven radius: 60 m

2. Running gear

Boggies: G70
 Wheelsets: monoblock, 920 mm

3. Tank

Capacity: 63 m³
 Material: Steel 1312 (SIS)
 Design pressure: 1,5 bar
 The tank RID-code: L1,5BN
 Heating: heating steam inside the tank, 8 pieces of heatings pipes, heating surfsance ca. 25 m²
 Insulation: 100 mm (mantle tank) / 120 mm (bottoms) mineral wool

4-axle rail tank car 63 m³, heated, insulated, for the transport of heavy petroleum products



Wagon type MB540-631

Page 2/2

Residue emptying: partially - through the use of low bottom of the tank in the middle part of the tank

Forced ventilation: no

Gas pendoleum: no

4. Loading and unloading devices

Filling manhole: 1-screw DN500, in top of tank

Bottom valve: DN100 „Gestra“ operated from the down (from the track level)

T-pipe: DN100, heated

Discharging valves: 2 pcs. of the ball valves DN100 with connection M130x6