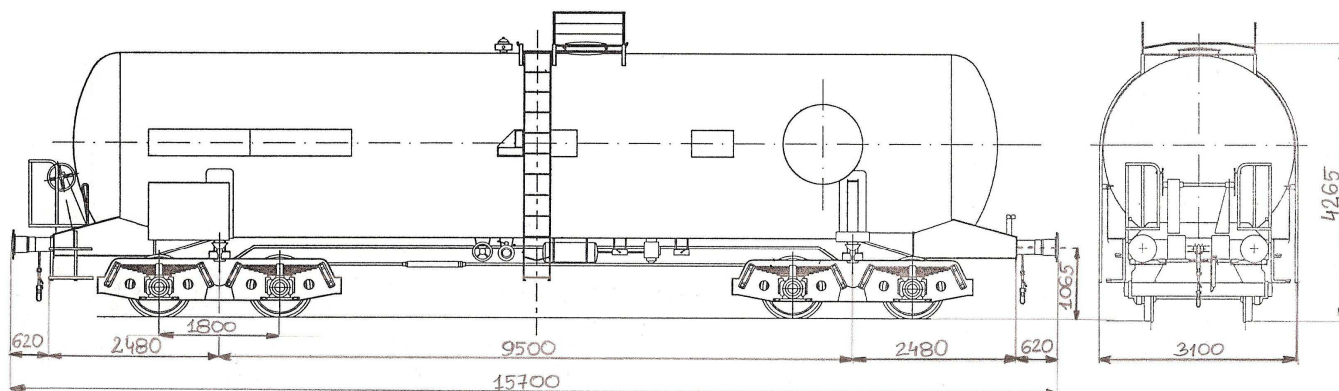


4-axle rail tank car 83 m³, for the transport of light petroleum products



Page 1/2

Wagon type MB540-750



TECHNICAL DATA

1. General

Serie: Zacs
Own weight: ca. 23,0 t,
Axle load: 20,0 t

Limits load
(with an own weight 23,0 t):

	A	B	C
S	41,0 t	49,0 t	57,0 t

Type of brake: KE-GP 16"
Minimal curven radius: 60 m

2. Running gear

Boggies: G70
Wheelsets: monoblock, 920 mm

3. Tank

Capacity: 83 m³
Material: Steel MRSt 37-2Cu (DIN), with inner tank coating RUBAFLEX HB (epoxid) ca. 150 µm

Design pressure: 1,5 bar
The tank RID-code: L1,5BF / L1,5BN
Heating: no
Insulation: no
Residue emptying: no

4-axle rail tank car 83 m³, for the transport of light petroleum products



Page 2/2

Wagon type MB540-750

Forced ventilation: no

Gas pendoleum: no

4. Loading and unloading devices

Filling manhole: 1-screw DN500, in top of tank

Bottom valve: DN100 „Gestra“ operated from the down (from the track level)

T-pipe: DN100

Discharging valves: 2 pcs. of the shut-off valves DN100 screwed on the T-pipe, with connection M130x6