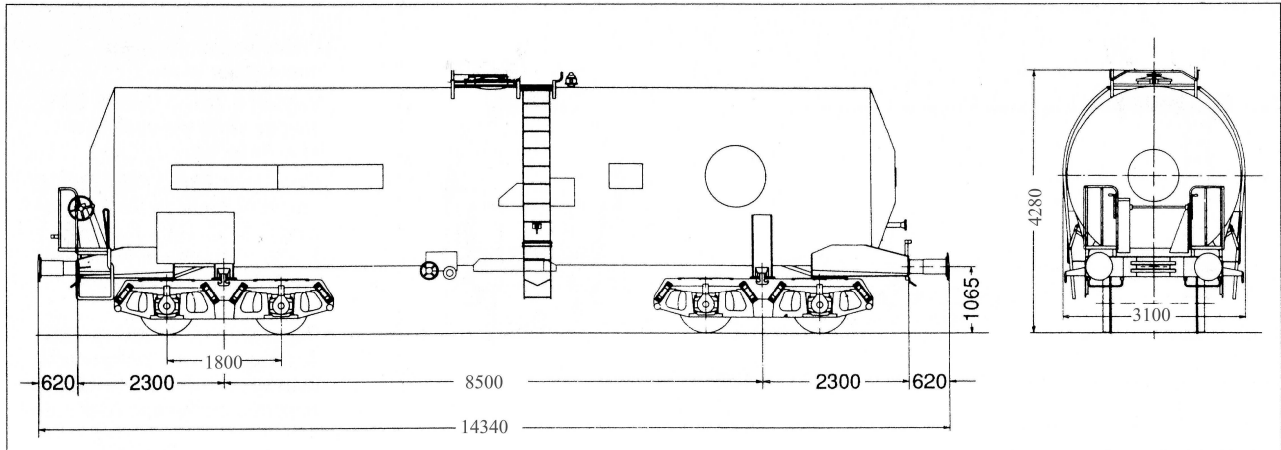


4-axle rail tank car 63 m<sup>3</sup>, heated, insulated, for the transport of heavy petroleum products



Wagon type MB540-700

Page 1/2



### TECHNICAL DATA

#### 1. General

Serie: Zaces  
Own weight: ca. 23,0 t,  
Axle load: 20,0 t

Limits load  
(with an own weight 23,0 t):

	A	B	C
S	41,0 t	49,0 t	57,0 t

Type of brake: KE-GP 14"  
Minimal curven radius: 50 m

#### 2. Running gear

Boggies: G70  
Wheelsets: monoblock, 920 mm

#### 3. Tank

Capacity: 63 m<sup>3</sup>  
Material: Steel 1312 (SIS) / 1320 (SIS)  
Design pressure: 1,1 / 1,5 bar  
The tank RID-code: LGBF / L1,5BN  
Heating: heating steam inside the tank, 8 pieces of pipes for heating, heating surfance ca. 25 m<sup>2</sup>  
Insulation: 100 mm mineral wool  
Residue emptying: no

4-axle rail tank car 63 m<sup>3</sup>, heated, insulated, for the transport of heavy petroleum products



Wagon type MB540-700

Page 2/2

Forced ventilation: no

Gas pendoleum: no

#### 4. Loading and unloading devices

Filling manhole: 1-screw DN500, in top of tank

Bottom valve: DN100 „Gestra“ operated from the down (from the track level)

T-pipe: DN100, heated

Discharging valves: 2 pcs. of the angle-seat valves / shut-off valves DN100 with connection M130x6